

## NOVA-WM Series LED Wall Mount Light

1 module (1 x 18 LEDs), 20W - 60W, non-adjustable

### HIGHLIGHTS

- Deriving from deep-rooted understanding of markets and application on outdoor LED lighting luminaires for 10+ years;
- Combination of industry-leading key components and rich expertise about R & D, quality management;
- Patented, unique and low-profile, but pragmatic style;
- Outstanding cost performance, long life with low cost of ownership, reliability, and easy installation;
- Sufficient options in wattage, lumens, and lighting controls/interfaces.

### APPLICATIONS

Car dealerships, parking lots, streets, walkways, campuses, and general site lighting applications.

### SPECIFICATION FEATURES

#### Construction

- Housing: rugged and light-weight aluminium alloy functioning as platform for light bars and driver compartment, and lighting control interfaces (e.g. Zhaga sensor ready connector, NEMA receptacle).
- Mounting bracket: powder coated aluminium alloy.
- Light bars: extrusion aluminium heatsink, aluminium PCB with 18 LEDs mounted, UV resistant polycarbonate 18-in-1 optic lens cluster, micro terminal block on PCB and connector for tool-less wiring. IP67 and IK10 rated.
- Hardware: 304 grade stainless steel nuts.

#### Optics

UV resistant polycarbonate optic lens cluster comes with dedicated optical cavities for the array of 18 individual LEDs. Optic lenses for symmetric and asymmetric light distributions are specifically designed for efficiency and uniformity to meet almost all lighting needs. Diversified CCTs, CRIs, and wavelength are at option.

#### Electrical

LED driver is enclosed in an aluminium driver compartment, designed to manage thermals for longevity. 220-240V, 90-305V AC, 120-277V AC, or 347-480V AC, 50/60Hz operation.

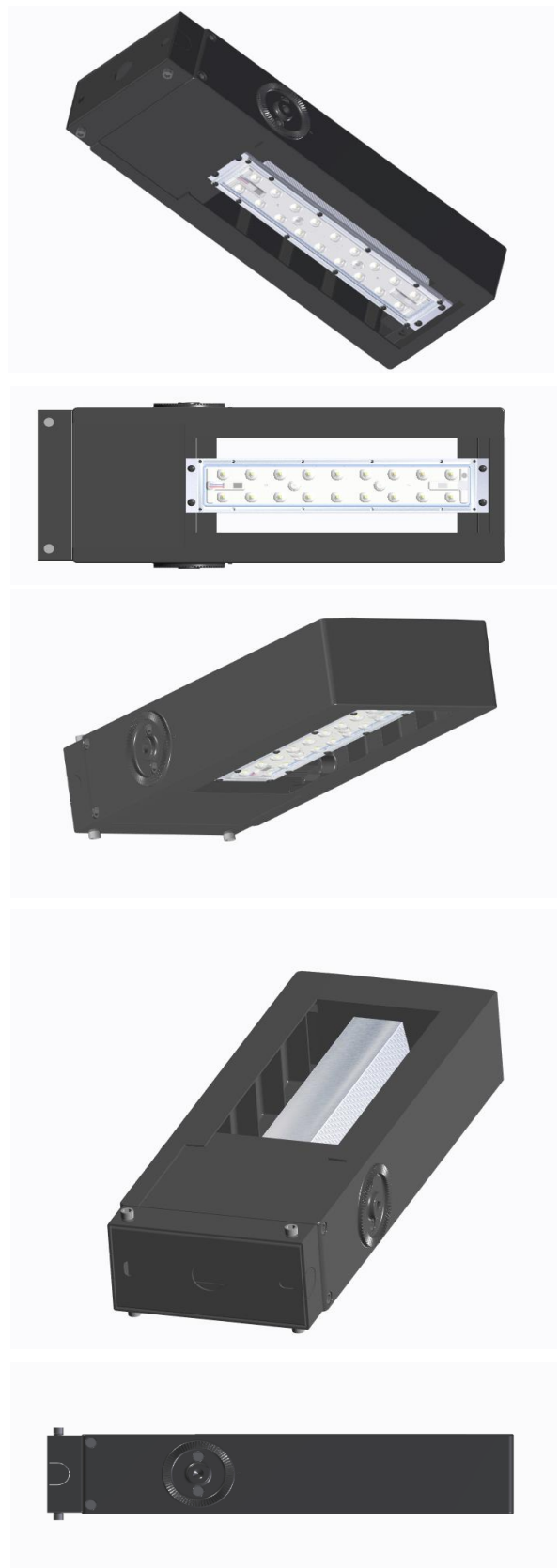
Withstand 10kV of transient line surge. 20kV surge protection is optional. Suitable for operation in -40°C to 50°C (-40°F to +122°F) Ta. Class II protection class is available upon request.

#### Finish

Housing is finished in world-class polyester powder coating to withstand challenging environments, 100 µm nominal thickness for superior protection against fade and wear, cracking or peeling. Optional standard colors include white, grey, black, bronze, other colors available upon request. RAL and color matches.

#### Mounting

Wall surface mount

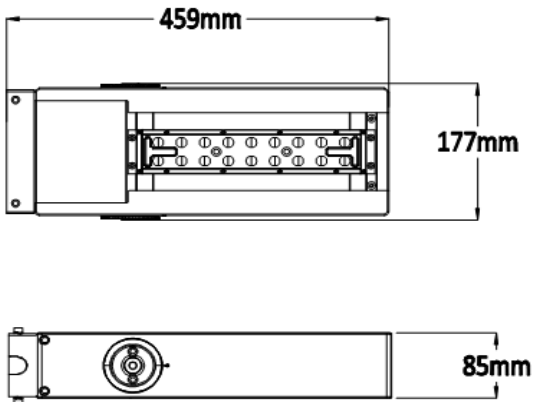


# NOVA-WM Series LED Wall Mount Light

1 module (1 x 18 LEDs), 20W - 60W, non-adjustable

**Allprolux**

## Dimensional Drawing



## Ordering Information

EXAMPLE:

**NAE60-WM-2M-40K7-WH-PE-BDS**

| MODEL                  | LENS & LIGHT DISTRIBUTION        | CCT <sub>3</sub> / WAVE LENGTH | METAL FINISH <sub>5</sub> | LIGHTING CONTROL OPTIONS       |
|------------------------|----------------------------------|--------------------------------|---------------------------|--------------------------------|
| NAA020-WM <sub>2</sub> | 10D 10° flood                    | 30K7 WW 3000K, 70 CRI          | GY Gray                   | Blank Without lighting control |
| NAB030-WM <sub>2</sub> | 20D 20° flood                    | 40K7 NW 4000K, 70 CRI          | BZ Bronze                 | 10V 1-10V / 0-10V Dimming      |
| NAC040-WM <sub>1</sub> | 30D 30° flood                    | 50K7 DW 5000K, 70 CRI          | BK Black                  | DA DALI Dimming                |
| NAD050-WM <sub>1</sub> | 60D 60° flood                    | 57K7 CW 5700K, 70 CRI          | WH White                  | MS Microwave Motion Sensor     |
| NAE060-WM <sub>1</sub> | 90D 90° flood                    | 65K7 CW 6500K, 70 CRI          |                           | SR Zhaga Sensor Ready          |
|                        | 120D 120° , Type V Square Medium | RB Royal Blue 450-465 nm       |                           | PWM PWM Dimming                |
|                        | 150D 150° , Type V Square Wide   | BL Blue 465-485 nm             |                           | DMX DMX Control                |
|                        | 2M Type II Medium                | GR Green 520-535 nm            |                           | EB Emergency Lighting          |
|                        | 2L Type II Long                  | AM Amber 585-595 nm            |                           | PE Photocell                   |
|                        | 3S Type III Short                | RO Red Orange 610-620 nm       |                           | 3P 3-pin NEMA Receptacle       |
|                        | 3M Type III Medium               | RD Red 620-630 nm              |                           | 5P 5-pin NEMA Receptacle       |
|                        | 3L Type III Long                 |                                |                           | 7P 7-pin NEMA Receptacle       |
|                        | 4VS Type IV Very Short           |                                |                           | SCP Shorting Cap               |
|                        | 4S Type IV Short                 |                                |                           | BDS Bird Spike                 |
|                        | 4M Type IV Medium                |                                |                           | CBL Safety Cable               |
|                        |                                  |                                |                           | SPL Spill control              |

### Footnotes:

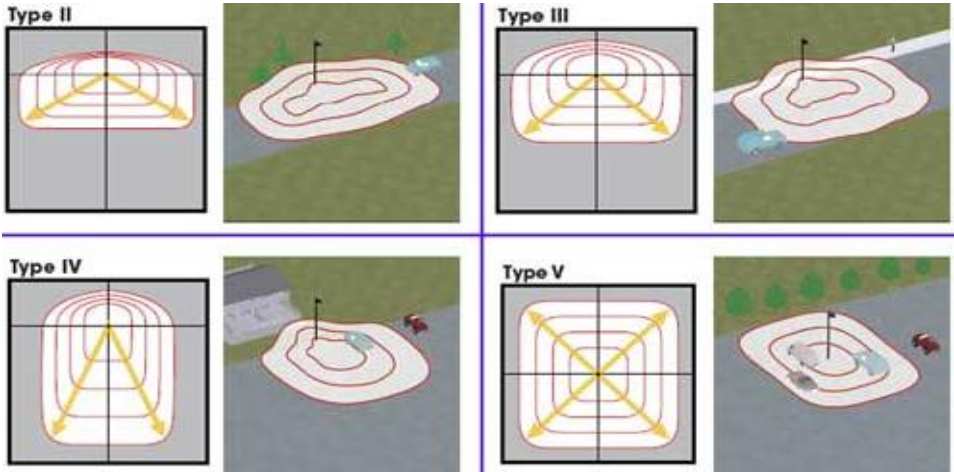
1. Materials in stock for faster production and delivery.
2. Available upon request.
3. Other CRI, CCTs and wavelength are available upon request, e.g. 2700K (27K7, 27K8, 27K9), 1800K, 80CRI, 90CRI
4. Remote LED Drivers.
5. Other metal finishes are available upon request. MoQ required.

# NOVA-WM Series LED Wall Mount Light

**Allprolux**

1 module (1 x 18 LEDs), 20W - 60W, non-adjustable

## Technical Parameters

| Model:                             | NAA020-WM <sub>2</sub>   | NAB030-WM <sub>2</sub> | NAC040-WM <sub>1</sub> | NAD050-WM <sub>1</sub> | NAE060-WM <sub>1</sub> |
|------------------------------------|--|------------------------|------------------------|------------------------|------------------------|
| Rated Power:                       | 20W  | 30W                    | 40W                    | 50W                    | 60W                    |
| Flux, Efficacy (cct 3000K):        | 2920 lm, 146 lm/W  | 4170 lm, 139 lm/W      | 5360 lm, 134 lm/W      | 6400 lm, 128 lm/W      | 7380 lm, 123 lm/W      |
| Flux, Efficacy (cct 4000K):        | 3080 lm, 154 lm/W  | 4410 lm, 147 lm/W      | 5680 lm, 142 lm/W      | 6750 lm, 135 lm/W      | 7800 lm, 130 lm/W      |
| Flux, Efficacy (cct 5000K):        | 3080 lm, 154 lm/W  | 4410 lm, 147 lm/W      | 5680 lm, 142 lm/W      | 6750 lm, 135 lm/W      | 7800 lm, 130 lm/W      |
| Drive Current:                     | 0.35A  | 0.53A                  | 0.70A                  | 0.86A                  | 1.05A                  |
| Watts /Module:                     | 20W  | 30W                    | 40W                    | 50W                    | 60W                    |
| No. of LEDs <sub>3</sub> :         | 1 x 18   |                        |                        |                        |                        |
| Projected Life-span:               | L90 B10: >100,000 hrs  |                        |                        |                        |                        |
| Weight (kg):                       | 3.6  | 3.6                    | 3.6                    | 3.7                    | 3.7                    |
| Dimensions L*W*H (mm) :            | 459*177*85   |                        |                        |                        |                        |
| EPA 0° tilt (ft <sup>2</sup> ):    | 0.17   |                        |                        |                        |                        |
| Input Voltage & Frequency:         | 90-305V AC 50/60Hz   |                        |                        |                        |                        |
| Power Factor (PF):                 | 0.97 (Min)   |                        |                        |                        |                        |
| THD:                               | <20%   |                        |                        |                        |                        |
| Surge Protection:                  | 10KV   |                        |                        |                        |                        |
| Protection class IEC:              | Class I  |                        |                        |                        |                        |
| Ambient Temp. (Ta):                | -40 to +50 °C  |                        |                        |                        |                        |
| IP Rating:                         | IP67   |                        |                        |                        |                        |
| Mech. impact protection:           | IK10   |                        |                        |                        |                        |
| Housing and heatsink:              | Aluminium alloy  |                        |                        |                        |                        |
| Powder Coating Thickness:          | 100µm  |                        |                        |                        |                        |
| Mounting bracket, screws:          | Steel  |                        |                        |                        |                        |
| Optic lens material <sub>5</sub> : | Polycarbonate (PC)   |                        |                        |                        |                        |
| Optic Lens & Light Distribution:   | <p>UV resistant polycarbonate, discoloration resistant, more weather proof for unique lens design<br/>                     Optional optics and photometry: 10°, 20°, 30°, 60°, 90°, 120°, 150°, IESNA Type I, II, III, IV, V.</p>  |                        |                        |                        |                        |

### Footnotes:

1. Materials in stock for faster production and delivery. UL, CUL, DLC 5.0, CB, ENEC, CE, SAA certified. ;
2. Regular options for custom products
3. High power white LEDs, Ra>=70
6. Custom product, e.g. 316 grade stainless steel screws, enhanced corrosion proof powder coated housing and optic lenses.

# NOVA-WM Series LED Wall Mount Light

2 modules (2 x 18 LEDs), 60W - 120W, non-adjustable

# Allprolux

## HIGHLIGHTS

- Deriving from deep-rooted understanding of markets and application on outdoor LED lighting luminaires for 10+ years;
- Combination of industry-leading key components and rich expertise about R & D, quality management;
- Patented, unique and low-profile, but pragmatic style;
- Outstanding cost performance, long life with low cost of ownership, reliability, and easy installation;
- Sufficient options in wattage, lumens, and lighting controls/interfaces.

## APPLICATIONS

Car dealerships, parking lots, streets, walkways, campuses, and general site lighting applications.

## SPECIFICATION FEATURES

### Construction

- Housing: rugged and light-weight aluminium alloy functioning as platform for light bars and driver compartment, and lighting control interfaces (e.g. Zhaga sensor ready connector, NEMA receptacle).
- Mounting bracket: powder coated aluminium alloy.
- Light bars: extrusion aluminium heatsink, aluminium PCB with 18 LEDs mounted, UV resistant polycarbonate 18-in-1 optic lens cluster, micro terminal block on PCB and connector for tool-less wiring. IP67 and IK10 rated.
- Hardware: 304 grade stainless steel nuts.

### Optics

UV resistant polycarbonate optic lens cluster comes with dedicated optical cavities for the array of 18 individual LEDs. Optic lenses for symmetric and asymmetric light distributions are specifically designed for efficiency and uniformity to meet almost all lighting needs. Diversified CCTs, CRIs, and wavelength are at option.

### Electrical

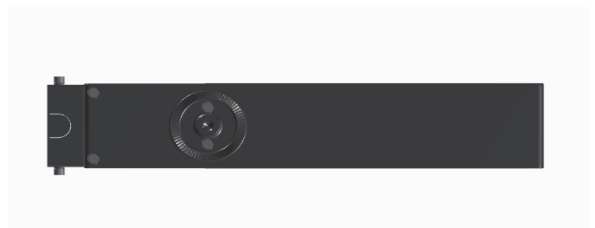
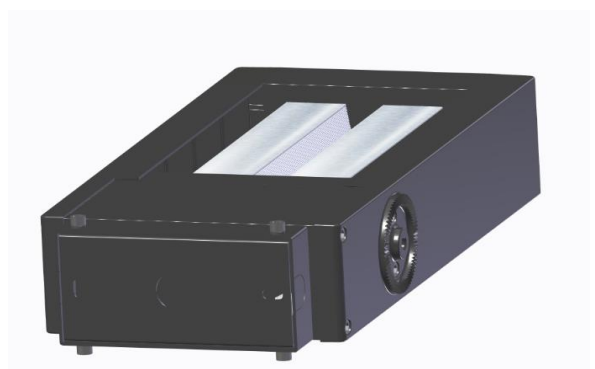
LED driver is enclosed in an aluminium driver compartment, designed to manage thermals for longevity. 220-240V, 90-305V AC, 120-277V AC, or 347-480V AC, 50/60Hz operation.  
Withstand 10kV of transient line surge. 20kV surge protection is optional.  
Suitable for operation in -40°C to 50°C (-40°F to +122°F) Ta. Class II protection class is available upon request.

### Finish

Housing is finished in world-class polyester powder coating to withstand challenging environments, 100 µm nominal thickness for superior protection against fade and wear, cracking or peeling. Optional standard colors include white, grey, black, bronze, other colors available upon request. RAL and color matches.

### Mounting

Wall surface mount

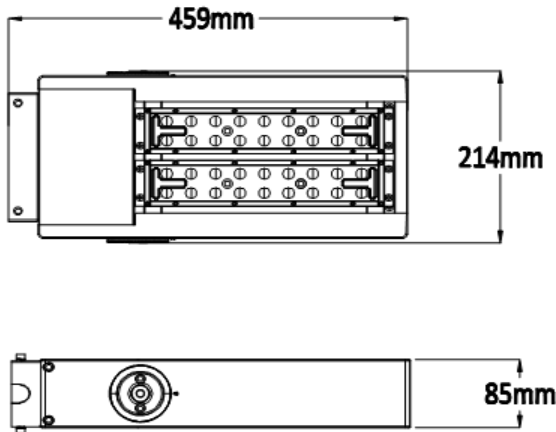


# NOVA-WM Series LED Wall Mount Light

2 modules (2 x 18 LEDs), 60W - 120W, non-adjustable

**Allprolux**

## Dimensional Drawing



## Ordering Information

EXAMPLE:

**NAE120-WM-3M-57K7-GY**

| MODEL                  | LENS & LIGHT DISTRIBUTION        | CCT <sub>3</sub> / WAVE LENGTH | METAL FINISH <sub>5</sub> | LIGHTING CONTROL OPTIONS       |
|------------------------|----------------------------------|--------------------------------|---------------------------|--------------------------------|
| NAB060-WM <sub>2</sub> | 10D 10° flood                    | 30K7 WW 3000K, 70 CRI          | GY Gray                   | Blank Without lighting control |
| NAC080-WM <sub>1</sub> | 20D 20° flood                    | 40K7 NW 4000K, 70 CRI          | BZ Bronze                 | 10V 1-10V / 0-10V Dimming      |
| NAD100-WM <sub>1</sub> | 30D 30° flood                    | 50K7 DW 5000K, 70 CRI          | BK Black                  | DA DALI Dimming                |
| NAE120-WM <sub>1</sub> | 60D 60° flood                    | 57K7 CW 5700K, 70 CRI          | WH White                  | MS Microwave Motion Sensor     |
|                        | 90D 90° flood                    | 65K7 CW 6500K, 70 CRI          |                           | SR Zhaga Sensor Ready          |
|                        | 120D 120° , Type V Square Medium | RB Royal Blue 450-465 nm       | PWM PWM Dimming           |                                |
|                        | 150D 150° , Type V Square Wide   | BL Blue 465-485 nm             | DMX DMX Control           |                                |
|                        | 2M Type II Medium                | GR Green 520-535 nm            | EB Emergency Lighting     |                                |
|                        | 2L Type II Long                  | AM Amber 585-595 nm            | PE Photocell              |                                |
|                        | 3S Type III Short                | RO Red Orange 610-620 nm       | 3P 3-pin NEMA Receptacle  |                                |
|                        | 3M Type III Medium               | RD Red 620-630 nm              | 5P 5-pin NEMA Receptacle  |                                |
|                        | 3L Type III Long                 |                                | 7P 7-pin NEMA Receptacle  |                                |
|                        | 4VS Type IV Very Short           |                                | SCP Shorting Cap          |                                |
| 4S Type IV Short       |                                  | BDS Bird Spike                 |                           |                                |
| 4M Type IV Medium      |                                  | CBL Safety Cable               |                           |                                |
|                        |                                  |                                | SPL Spill control         |                                |

### Footnotes:

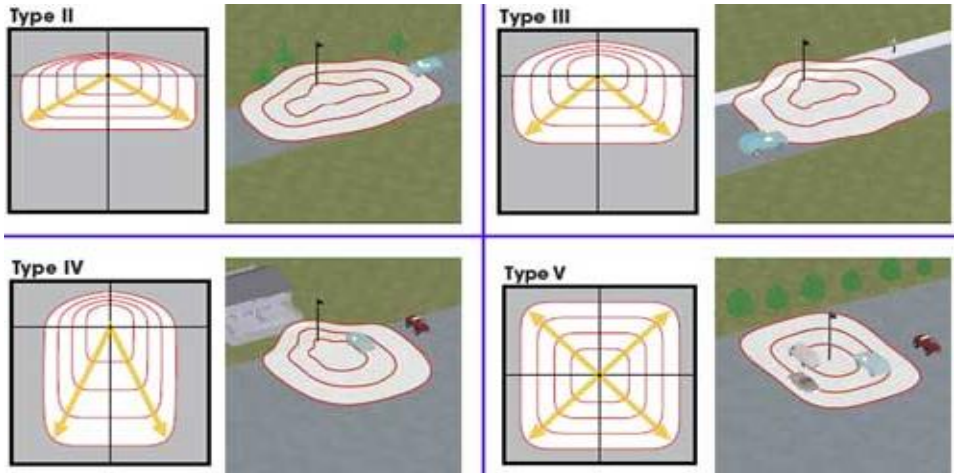
1. Materials in stock for faster production and delivery.
2. Available upon request.
3. Other CRI, CCTs and wavelength are available upon request, e.g. 2700K (27K7, 27K8, 27K9), 1800K, 80CRI, 90CRI
4. Remote LED Drivers.
5. Other metal finishes are available upon request. MoQ required.

# NOVA-WM Series LED Wall Mount Light

2 modules (2 x 18 LEDs), 60W - 120W, non-adjustable

# Allprolux

## Technical Parameters

| Model:                             | NAB060-WM <sub>2</sub>   | NAC080-WM <sub>1</sub> | NAD100-WM <sub>2</sub> | NAE120-WM <sub>2</sub> |
|------------------------------------|--|------------------------|------------------------|------------------------|
| Rated Power:                       | 60W  | 80W                    | 100W                   | 120W                   |
| Flux, Efficacy (cct 3000K):        | 8340 lm, 139 lm/W  | 10720 lm, 134 lm/W     | 12800 lm, 128 lm/W     | 14760 lm, 123 lm/W     |
| Flux, Efficacy (cct 4000K):        | 8820 lm, 147 lm/W  | 11360 lm, 142 lm/W     | 13500 lm, 135 lm/W     | 15600 lm, 130 lm/W     |
| Flux, Efficacy (cct 5000K):        | 8820 lm, 147 lm/W  | 11360 lm, 142 lm/W     | 13500 lm, 135 lm/W     | 15600 lm, 130 lm/W     |
| Drive Current:                     | 0.53A  | 0.70A                  | 0.86A                  | 1.05A                  |
| Watts /Module:                     | 30W  | 40W                    | 50W                    | 60W                    |
| No. of LEDs <sub>3</sub> :         | 2 x 18   |                        |                        |                        |
| Projected Life-span:               | L90 B10: >100,000 hrs  |                        |                        |                        |
| Weight (kg):                       | 4.4  | 4.5                    | 4.5                    | 4.7                    |
| Dimensions L*W*H (mm) :            | 459*214*85   |                        |                        |                        |
| EPA 0° tilt (ft <sup>2</sup> ):    | 0.17   |                        |                        |                        |
| Input Voltage & Frequency:         | 90-305V AC 50/60Hz   |                        |                        |                        |
| Power Factor (PF):                 | 0.97 (Min)   |                        |                        |                        |
| THD:                               | <20%   |                        |                        |                        |
| Surge Protection:                  | 10KV   |                        |                        |                        |
| Protection class IEC:              | Class I  |                        |                        |                        |
| Ambient Temp. (Ta):                | -40 to +50 °C  |                        |                        |                        |
| IP Rating:                         | IP67   |                        |                        |                        |
| Mech. impact protection code       | IK10   |                        |                        |                        |
| Housing and heatsink:              | Aluminium alloy  |                        |                        |                        |
| Powder Coating Thickness:          | 100µm  |                        |                        |                        |
| Mounting bracket, screws:          | Steel  |                        |                        |                        |
| Optic lens material <sub>6</sub> : | Polycarbonate (PC)   |                        |                        |                        |
| Optic Lens & Light Distribution:   | <p>UV resistant polycarbonate, discoloration resistant, more weather proof for unique lens design<br/>                     Optional optics and photometry: 10°, 20°, 30°, 60°, 90°, 120°, 150°, IESNA Type I, II, III, IV, V.</p>  |                        |                        |                        |

### Footnotes:

1. Materials in stock for faster production and delivery. UL, CUL, DLC 5.0, CB, ENEC, CE, SAA certified. ;
2. Regular options for custom products
3. High power white LEDs, Ra>=70
6. Custom product, e.g. 316 grade stainless steel screws, enhanced corrosion proof powder coated housing and optic lenses.

ALLPROLUX reserves the right to update all product data sheets at any time.  
 Consult ALLPROLUX marketing specialists for publication updates at [info@allprolux.com](mailto:info@allprolux.com)



# NOVA-WM Series LED Wall Mount Light

3 modules (3 x 18 LEDs), 90W - 180W, non-adjustable

# Allprolux

## HIGHLIGHTS

- Deriving from deep-rooted understanding of markets and application on outdoor LED lighting luminaires for 10+ years;
- Combination of industry-leading key components and rich expertise about R & D, quality management;
- Patented, unique and low-profile, but pragmatic style;
- Outstanding cost performance, long life with low cost of ownership, reliability, and easy installation;
- Sufficient options in wattage, lumens, and lighting controls/interfaces.

## APPLICATIONS

Car dealerships, parking lots, streets, walkways, campuses, and general site lighting applications.

## SPECIFICATION FEATURES

### Construction

- Housing: rugged and light-weight aluminium alloy functioning as platform for light bars and driver compartment, and lighting control interfaces (e.g. Zhaga sensor ready connector, NEMA receptacle).
- Mounting bracket: powder coated aluminium alloy.
- Light bars: extrusion aluminium heatsink, aluminium PCB with 18 LEDs mounted, UV resistant polycarbonate 18-in-1 optic lens cluster, micro terminal block on PCB and connector for tool-less wiring. IP67 and IK10 rated.
- Hardware: 304 grade stainless steel nuts.

### Optics

UV resistant polycarbonate optic lens cluster comes with dedicated optical cavities for the array of 18 individual LEDs. Optic lenses for symmetric and asymmetric light distributions are specifically designed for efficiency and uniformity to meet almost all lighting needs. Diversified CCTs, CRIs, and wavelength are at option.

### Electrical

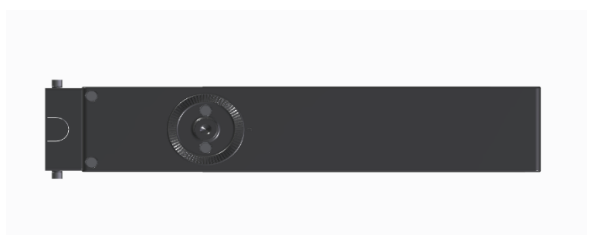
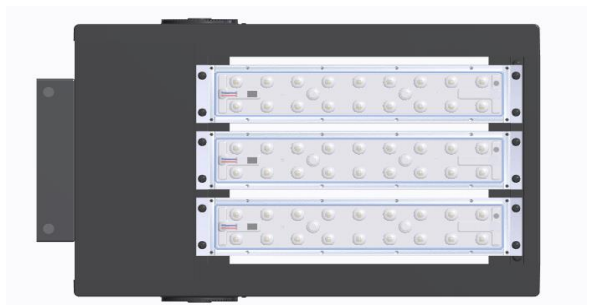
LED driver is enclosed in an aluminium driver compartment, designed to manage thermals for longevity. 220-240V, 90-305V AC, 120-277V AC, or 347-480V AC, 50/60Hz operation.  
Withstand 10kV of transient line surge. 20kV surge protection is optional.  
Suitable for operation in -40°C to 50°C (-40°F to +122°F) Ta. Class II protection class is available upon request.

### Finish

Housing is finished in world-class polyester powder coating to withstand challenging environments, 100 µm nominal thickness for superior protection against fade and wear, cracking or peeling. Optional standard colors include white, grey, black, bronze, other colors available upon request. RAL and color matches.

### Mounting

Wall Surface Mount

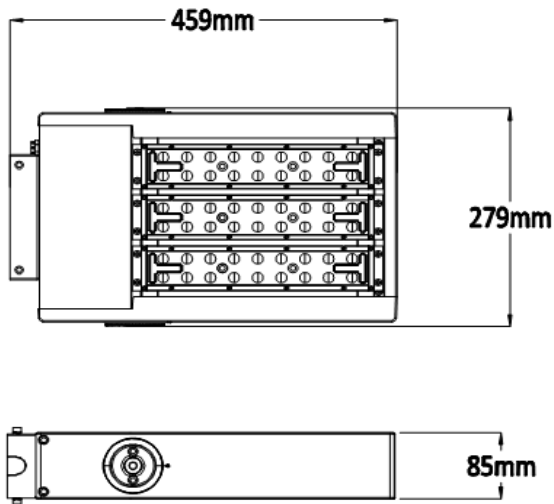


# NOVA-WM Series LED Wall Mount Light

3 modules (3 x 18 LEDs), 90W - 180W, non-adjustable

**Allprolux**

## Dimensional Drawing



## Ordering Information

EXAMPLE:

**NAD150-WM-3M-50K7-BK**

| MODEL                  | LENS & LIGHT DISTRIBUTION       | CCT <sub>3</sub> / WAVE LENGTH | METAL FINISH <sub>5</sub> | LIGHTING CONTROL OPTIONS       |
|------------------------|---------------------------------|--------------------------------|---------------------------|--------------------------------|
| NAB090-WM <sub>2</sub> | 10D 10° flood                   | 30K7 WW 3000K, 70 CRI          | GY Gray                   | Blank Without lighting control |
| NAC120-WM <sub>1</sub> | 20D 20° flood                   | 40K7 NW 4000K, 70 CRI          | BZ Bronze                 | 10V 1-10V / 0-10V Dimming      |
| NAD150-WM <sub>1</sub> | 30D 30° flood                   | 50K7 DW 5000K, 70 CRI          | BK Black                  | DA DALI Dimming                |
| NAE180-WM <sub>1</sub> | 60D 60° flood                   | 57K7 CW 5700K, 70 CRI          | WH White                  | MS Microwave Motion Sensor     |
|                        | 90D 90° flood                   | 65K7 CW 6500K, 70 CRI          |                           | SR Zhaga Sensor Ready          |
|                        | 120D 120°, Type V Square Medium | RB Royal Blue 450-465 nm       |                           | PWM PWM Dimming                |
|                        | 150D 150°, Type V Square Wide   | BL Blue 465-485 nm             |                           | DMX DMX Control                |
|                        | 2M Type II Medium               | GR Green 520-535 nm            |                           | EB Emergency Lighting          |
|                        | 2L Type II Long                 | AM Amber 585-595 nm            |                           | PE Photocell                   |
|                        | 3S Type III Short               | RO Red Orange 610-620 nm       |                           | 3P 3-pin NEMA Receptacle       |
|                        | 3M Type III Medium              | RD Red 620-630 nm              |                           | 5P 5-pin NEMA Receptacle       |
|                        | 3L Type III Long                |                                |                           | 7P 7-pin NEMA Receptacle       |
|                        | 4VS Type IV Very Short          |                                |                           | SCP Shorting Cap               |
|                        | 4S Type IV Short                |                                |                           | BDS Bird Spike                 |
|                        | 4M Type IV Medium               |                                |                           | CBL Safety Cable               |
|                        |                                 |                                |                           | SPL Spill control              |

### Footnotes:

1. Materials in stock for faster production and delivery.
2. Available upon request.
3. Other CRI, CCTs and wavelength are available upon request, e.g. 2700K (27K7, 27K8, 27K9), 1800K, 80CRI, 90CRI
4. Remote LED Drivers.
5. Other metal finishes are available upon request. MoQ required.

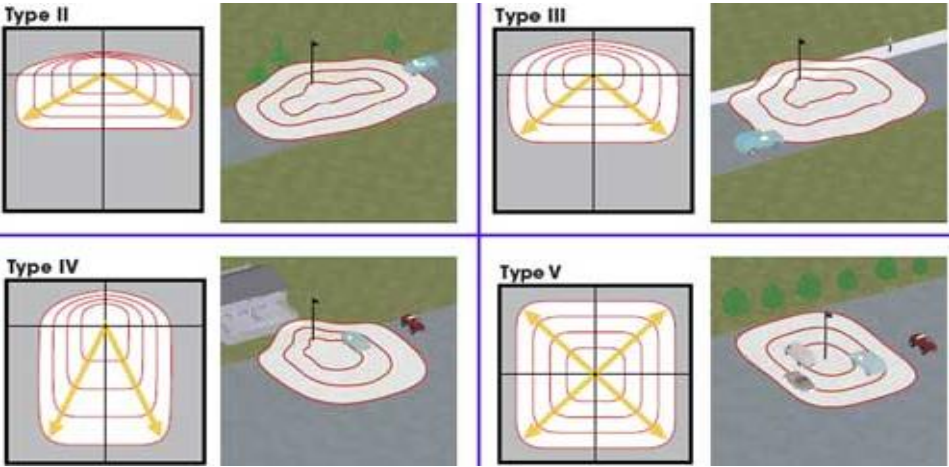


# NOVA-WM Series LED Wall Mount Light

3 modules (3 x 18 LEDs), 90W - 180W, non-adjustable

# Allprolux

## Technical Parameters

| Model:                             | NAB090-WM <sub>2</sub>   | NAC120-WM <sub>1</sub> | NAD150-WM <sub>1</sub> | NAE180-WM <sub>1</sub> |
|------------------------------------|--|------------------------|------------------------|------------------------|
| Rated Power:                       | 90W  | 120W                   | 150W                   | 180W                   |
| Flux, Efficacy (cct 3000K):        | 12510 lm, 139 lm/W   | 16080 lm, 134 lm/W     | 19200 lm, 128 lm/W     | 22140 lm, 123 lm/W     |
| Flux, Efficacy (cct 4000K):        | 13230 lm, 147 lm/W   | 17040 lm, 142 lm/W     | 20250 lm, 135 lm/W     | 23400 lm, 130 lm/W     |
| Flux, Efficacy (cct 5000K):        | 13230 lm, 147 lm/W   | 17040 lm, 142 lm/W     | 20250 lm, 135 lm/W     | 23400 lm, 130 lm/W     |
| Drive Current:                     | 0.53A  | 0.70A                  | 0.86A                  | 1.05A                  |
| Watts /Module:                     | 30W  | 40W                    | 50W                    | 60W                    |
| No. of LEDs <sub>3</sub> :         | 3 x 18   |                        |                        |                        |
| Projected Life-span:               | L90 B10: >100,000 hrs  |                        |                        |                        |
| N. W. (kg):                        | 4.65   | 4.75                   | 4.65                   | 4.75                   |
| Dimensions L*W*H (mm) :            | 459*279*85   |                        |                        |                        |
| EPA 0° tilt (ft <sup>2</sup> ):    | 0.22   |                        |                        |                        |
| Input Voltage & Frequency:         | 90-305V AC 50/60Hz   |                        |                        |                        |
| Power Factor (PF):                 | 0.97 (Min)   |                        |                        |                        |
| THD:                               | <20%   |                        |                        |                        |
| Surge Protection:                  | 10KV   |                        |                        |                        |
| Protection class IEC:              | Class I  |                        |                        |                        |
| Ambient Temp. (Ta):                | -40 to +50 °C  |                        |                        |                        |
| IP Rating:                         | IP67   |                        |                        |                        |
| Mech. impact protection:           | IK10   |                        |                        |                        |
| Housing and heatsink:              | Aluminium alloy  |                        |                        |                        |
| Powder Coating Thickness:          | 100µm  |                        |                        |                        |
| Mounting bracket, screws:          | Aluminium alloy + Polyester powder coating, 304 grade stainless steel  |                        |                        |                        |
| Optic lens material <sub>6</sub> : | Polycarbonate (PC)   |                        |                        |                        |
| Optic Lens & Light Distribution:   | <p>UV resistant polycarbonate, discoloration resistant, more weather proof for unique lens design<br/>                     Optional optics and photometry: 10°, 20°, 30°, 60°, 90°, 120°, 150°, IESNA Type I, II, III, IV, V.</p>  |                        |                        |                        |

### Footnotes:

1. Materials in stock for faster production and delivery. UL, CUL, DLC 5.0, CB, ENEC, CE, SAA certified. ;
2. Regular options for custom products
3. High power white LEDs, Ra>=70
6. Custom product, e.g. 316 grade stainless steel screws, enhanced corrosion proof powder coated housing and optic lenses.

# NOVA-WM Series LED Wall Mount Light

4 modules (4 x 18 LEDs), 120W - 240W, non-adjustable

# Allprolux

## HIGHLIGHTS

- Deriving from deep-rooted understanding of markets and application on outdoor LED lighting luminaires for 10+ years;
- Combination of industry-leading key components and rich expertise about R & D, quality management;
- Patented, unique and low-profile, but pragmatic style;
- Outstanding cost performance, long life with low cost of ownership, reliability, and easy installation;
- Sufficient options in wattage, lumens, and lighting controls/interfaces.

## APPLICATIONS

Car dealerships, parking lots, streets, walkways, campuses, and general site lighting applications.

## SPECIFICATION FEATURES

### Construction

- Housing: rugged and light-weight aluminium alloy functioning as platform for light bars and driver compartment, and lighting control interfaces (e.g. Zhaga sensor ready connector, NEMA receptacle).
- Mounting bracket: powder coated aluminium alloy.
- Light bars: extrusion aluminium heatsink, aluminium PCB with 18 LEDs mounted, UV resistant polycarbonate 18-in-1 optic lens cluster, micro terminal block on PCB and connector for tool-less wiring. IP67 and IK10 rated.
- Hardware: 304 grade stainless steel nuts.

### Optics

UV resistant polycarbonate optic lens cluster comes with dedicated optical cavities for the array of 18 individual LEDs. Optic lenses for symmetric and asymmetric light distributions are specifically designed for efficiency and uniformity to meet almost all lighting needs. Diversified CCTs, CRIs, and wavelength are at option.

### Electrical

LED driver is enclosed in an aluminium driver compartment, designed to manage thermals for longevity. 220-240V, 90-305V AC, 120-277V AC, or 347-480V AC, 50/60Hz operation.  
Withstand 10kV of transient line surge. 20kV surge protection is optional.  
Suitable for operation in -40°C to 50°C (-40°F to +122°F) Ta. Class II protection class is available upon request.

### Finish

Housing is finished in world-class polyester powder coating to withstand challenging environments, 100 µm nominal thickness for superior protection against fade and wear, cracking or peeling. Optional standard colors include white, grey, black, bronze, other colors available upon request. RAL and color matches.

### Mounting

Wall Surface Mount

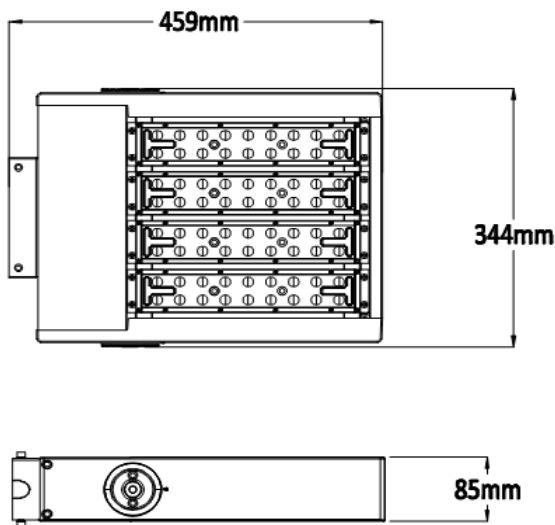


# NOVA-WM Series LED Wall Mount Light

4 modules (4 x 18 LEDs), 120W - 240W, non-adjustable

**Allprolux**

## Dimensional Drawing



## Ordering Information

EXAMPLE:

**NAD200-WM-3M-40K7-BK-PE**

| MODEL                  | LENS & LIGHT DISTRIBUTION       | CCT <sub>3</sub> / WAVE LENGTH | METAL FINISH <sub>5</sub> | LIGHTING CONTROL OPTIONS       |
|------------------------|---------------------------------|--------------------------------|---------------------------|--------------------------------|
| NAB120-WM <sub>2</sub> | 10D 10° flood                   | 30K7 WW 3000K, 70 CRI          | GY Gray                   | Blank Without lighting control |
| NAC160-WM <sub>1</sub> | 20D 20° flood                   | 40K7 NW 4000K, 70 CRI          | BZ Bronze                 | 10V 1-10V / 0-10V Dimming      |
| NAD200-WM <sub>2</sub> | 30D 30° flood                   | 50K7 DW 5000K, 70 CRI          | BK Black                  | DA DALI Dimming                |
| NAE240-WM <sub>1</sub> | 60D 60° flood                   | 57K7 CW 5700K, 70 CRI          | WH White                  | MS Microwave Motion Sensor     |
|                        | 90D 90° flood                   | 65K7 CW 6500K, 70 CRI          |                           | SR Zhaga Sensor Ready          |
|                        | 120D 120°, Type V Square Medium | RB Royal Blue 450-465 nm       |                           | PWM PWM Dimming                |
|                        | 150D 150°, Type V Square Wide   | BL Blue 465-485 nm             |                           | DMX DMX Control                |
|                        | 2M Type II Medium               | GR Green 520-535 nm            |                           | EB Emergency Lighting          |
|                        | 2L Type II Long                 | AM Amber 585-595 nm            |                           | PE Photocell                   |
|                        | 3S Type III Short               | RO Red Orange 610-620 nm       |                           | 3P 3-pin NEMA Receptacle       |
|                        | 3M Type III Medium              | RD Red 620-630 nm              |                           | 5P 5-pin NEMA Receptacle       |
|                        | 3L Type III Long                |                                |                           | 7P 7-pin NEMA Receptacle       |
|                        | 4VS Type IV Very Short          |                                |                           | SCP Shorting Cap               |
|                        | 4S Type IV Short                |                                |                           | BDS Bird Spike                 |
|                        | 4M Type IV Medium               |                                |                           | CBL Safety Cable               |
|                        |                                 |                                |                           | SPL Spill control              |

### Footnotes:

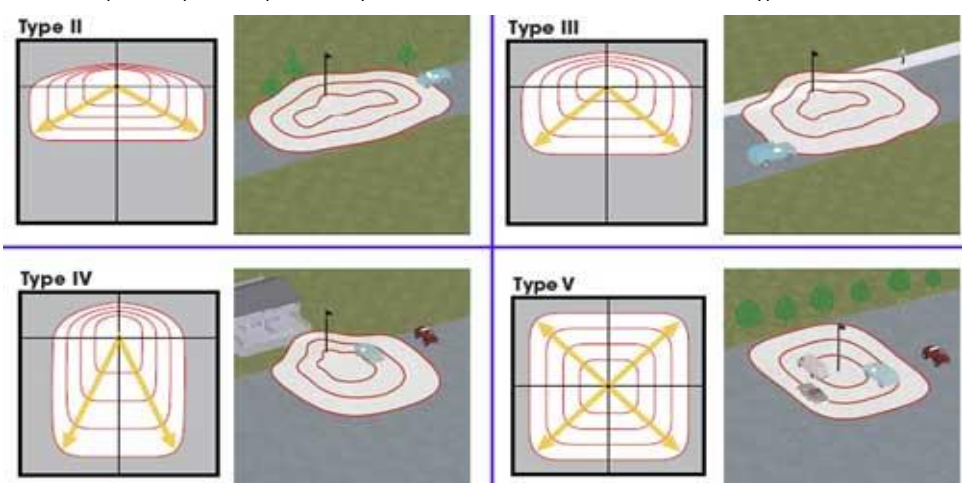
1. Materials in stock for faster production and delivery.
2. Available upon request.
3. Other CRI, CCTs and wavelength are available upon request, e.g. 2700K (27K7, 27K8, 27K9), 1800K, 80CRI, 90CRI
4. Remote LED Drivers.
5. Other metal finishes are available upon request. MoQ required.

# NOVA-WM Series LED Wall Mount Light

4 modules (4 x 18 LEDs), 120W - 240W, non-adjustable

# Allprolux

## Technical Parameters

| Model:                             | NAB120-WM <sub>2</sub>   | NAC160-WM <sub>1</sub> | NAD200-WM <sub>1</sub> | NAE240-WM <sub>1</sub> |
|------------------------------------|--|------------------------|------------------------|------------------------|
| Rated Power:                       | 120W   | 160W                   | 200W                   | 240W                   |
| Flux, Efficacy (cct 3000K):        | 16680 lm, 139 lm/W   | 21440 lm, 134 lm/W     | 25600 lm, 128 lm/W     | 29520 lm, 123 lm/W     |
| Flux, Efficacy (cct 4000K):        | 17640 lm, 147 lm/W   | 22720 lm, 142 lm/W     | 27000 lm, 135 lm/W     | 31200 lm, 130 lm/W     |
| Flux, Efficacy (cct 5000K):        | 17640 lm, 147 lm/W   | 22720 lm, 142 lm/W     | 27000 lm, 135 lm/W     | 31200 lm, 130 lm/W     |
| Drive Current:                     | 0.53A  | 0.70A                  | 0.86A                  | 1.05A                  |
| Watts /Module:                     | 30W  | 40W                    | 50W                    | 60W                    |
| No. of LEDs <sub>3</sub> :         | 4 x 18   |                        |                        |                        |
| Projected Life-span:               | L90 B10: >100,000 hrs  |                        |                        |                        |
| Weight (kg):                       | 6.6  | 6.6                    | 6.7                    | 6.8                    |
| Dimensions L*W*H (mm) :            | 459*344*85   |                        |                        |                        |
| EPA 0° tilt (ft <sup>2</sup> ):    | 0.28   |                        |                        |                        |
| Input Voltage & Frequency:         | 90-305V AC 50/60Hz   |                        |                        |                        |
| Power Factor (PF):                 | 0.97 (Min)   |                        |                        |                        |
| THD:                               | <20%   |                        |                        |                        |
| Surge Protection:                  | 10KV   |                        |                        |                        |
| Protection class IEC:              | Class I  |                        |                        |                        |
| Ambient Temp. (Ta):                | -40 to +50 °C  |                        |                        |                        |
| IP Rating:                         | IP67   |                        |                        |                        |
| Mech. impact protection:           | IK10   |                        |                        |                        |
| Housing and heatsink:              | Aluminium alloy  |                        |                        |                        |
| Powder Coating Thickness:          | 100µm  |                        |                        |                        |
| Mounting bracket, screws:          | Steel  |                        |                        |                        |
| Optic lens material <sub>6</sub> : | Polycarbonate (PC)   |                        |                        |                        |
| Optic Lens & Light Distribution:   | <p>UV resistant polycarbonate, discoloration resistant, more weather proof for unique lens design<br/>                     Optional optics and photometry: 10°, 20°, 30°, 60°, 90°, 120°, 150°, IESNA Type I, II, III, IV, V.</p>  |                        |                        |                        |

### Footnotes:

1. Materials in stock for faster production and delivery. UL, CUL, DLC 5.0, CB, ENEC, CE, SAA certified. ;
2. Regular options for custom products
3. High power white LEDs, Ra>=70
6. Custom product, e.g. 316 grade stainless steel screws, enhanced corrosion proof powder coated housing and optic lenses.